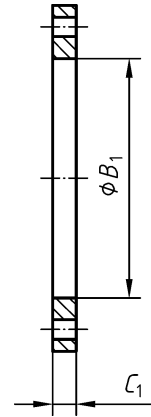
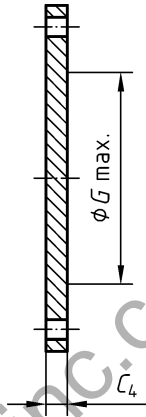


a)

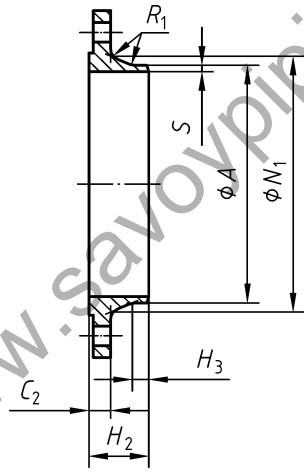
This diagram illustrates the arrangement but not necessarily the correct number of bolt holes.
Refer to the column "Bolting Number" in Table 17 for the actual number.



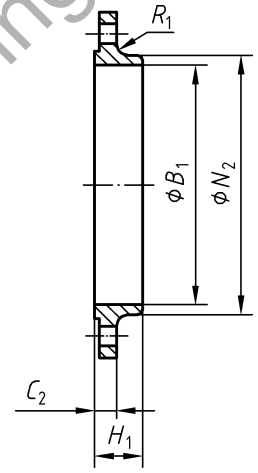
b) Type 01



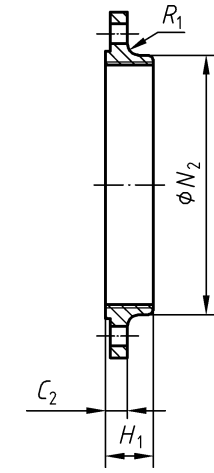
c) Type 05



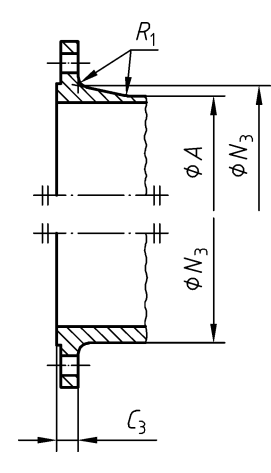
d) Type 11



e) Type 12



f) Type 13



g) Type 21

NOTE 1 Dimensions N_1 , N_2 and N_3 are measured at the intersection of the hub draft angle and the back face of the flange.

NOTE 2 For dimensions G_{max} refer to NOTE 1 of 5.6.1.

Figure 12 — Dimensions of PN 100 flanges

Table 17 — Dimensions of PN 100 flanges

Dimensions in millimetres

DN	Mating dimensions					Outside diameter of neck A	Bore diameter B ₁	Flange thickness				Centre portion G _{max}	Length			Neck diameters			Corner radii R ₁	Wall thickness (see 5.6.1) S
	Outside diameter D	Diameter of bolt circle K	Diameter of bolt hole L	Bolting				C ₁	C ₂	C ₃	C ₄		H ₁	H ₂	H ₃	N ₁	N ₂	N ₃		
				Number	Size															
	Flange type																			
01, 05, 11, 12, 13, 21					11 21 ^a	01 12	01	11 12 13	21	05	05	12 13	11	11	11	12 13	21	11 12 13 21	11	
10	100	70	14	4	M12	17,2	18,0	20	20	20	20	—	28	45	6	32	40	40	4	
15	105	75	14	4	M12	21,3	22,0	20	20	20	20	—	28	45	6	34	43	45	4	
20	130	90	18	4	M16	26,9	27,5	22	22	22	22	—	30	48	8	42	52	50	4	
25	140	100	18	4	M16	33,7	34,5	24	24	24	24	—	32	58	8	52	60	61	4	
32	155	110	22	4	M20	42,4	43,5	24	24	26	24	—	32	60	8	62	68	68	6	
40	170	125	22	4	M20	48,3	49,5	26	26	28	26	—	34	62	10	70	80	82	6	
50	195	145	26	4	M24	60,3	61,5	28	28	30	28	—	36	68	10	90	95	96	6	
65	220	170	26	8	M24	76,1	77,5	30	30	34	30	45	40	76	12	108	118	118	6	
80	230	180	26	8	M24	88,9	90,5	34	32	36	32	60	44	78	12	120	130	128	8	
100	265	210	30	8	M27	114,3	116,0	36	36	40	36	80	52	90	12	150	158	150	8	
125	315	250	33	8	M30	139,7	141,5	42	40	40	40	105	56	105	12	180	188	185	8	
150	355	290	33	12	M30	168,3	170,5	48	44	44	44	130	60	115	12	210	225	216	10	
200	430	360	36	12	M33	219,1	221,5	60	52	52	52	180	—	130	16	278	—	278	10	
250	505	430	39	12	M36	273,0	276,5	72	60	60	60	210	—	157	18	340	—	340	12	
300	585	500	42	16	M39	323,9	327,5	84	68	68	68	260	—	170	18	400	—	407	12	
350	655	560	48	16	M45	355,6	359,5	95	74	74	74	300	—	189	20	460	—	460	12	
400	b																			
500	b																			

See Annex A

^a For flanges type 21 the outside hub diameter approximately corresponds to the outside pipe diameter and the nominal value dimensions A, N3 and R1 and their tolerances are included for guidance only.

^b Only mating dimensions fixed, see Annex J.